



Two-Station

Drinking Fountain

MODEL 7020



This fountain is certified to NSF/ANSI 61.

GENERAL

Two-station face-mounted fountain, one-piece non-corrosive stainless steel number 300 series with brushed satin finish. Fountain has stream splitter design basins with perforated grid strainers. Basin shall be 31" W x 14" D x 15" H

BUBBLER

Single-stream angle jet projector. Combination self-closing pushbutton type with integral automatic stream regulator and hood guard.

PUSHBUTTON ACTUATION MECHANISM

Light touch pushbuttons conveniently located on the front of the unit do not require grasping or twisting.

AUTOMATIC STREAM HEIGHT REGULATOR

Self-closing assembly is located inside unit to prevent tampering. Unit resists corrosion and liming. A constant stream height is automatically maintained under line pressures that vary from 20 to 105 psi.

INLET STRAINER

Easily cleaned in-line strainer screen traps particles of 140 microns or larger before they enter the waterway.

WATER INLET

3/8" O.D. Tubing

DRAIN OUTLET

1-1/4" tube outlet for 1-1/4" slip joint connection.

SUGGESTED SPECIFICATIONS

Fountain shall include two contour-formed basins to eliminate splashing and standing water. Projectors shall be single-stream, mound-building type with integral hood guard and anti-squirt feature. The manufacturer shall certify the unit to meet the requirements of NSF/ANSI 61, and the Safe Drinking Water Act.

Note: Continued product improvement makes specifications subject to change without notice. See Halsey Taylor website for most current spec sheet.



Standard finish is Stainless Steel

Each 2-Station Fountain consists of 1 carton of the following:

Fountain, and Misc. Parts
Wall Hanger

Trap and service stops not included.

Copper tube to water supply connection not furnished.

Shipping weight: 35 lbs.

JOB NAME: _____

 ENGINEER/CONTRACTOR NAME:

 APPROVAL: _____
 DATE: _____



7020

Two-Station Drinking Fountain

(CONTINUED)

MOUNTING INSTRUCTIONS

Refer to diagrams for rough-in of plumbing. Wall hanger is included with product. For wall support required locations see installation instructions provided with fountain. Mount wall hanger brackets to the wall per the installation instructions. Hang fountain and attach to wall. Water service line and waste line are to be assembled as required. Final check for leaks and correct functions of fountain should be made. (For details see the installation instructions.)

CAUTION – Fountain must be securely bolted to wall

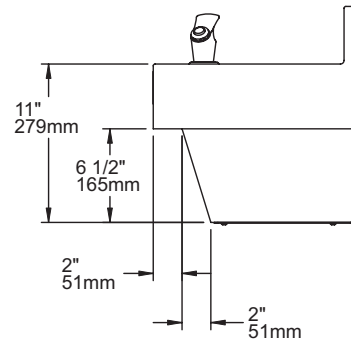
OPERATING PRESSURES

Supply water-105 psi maximum

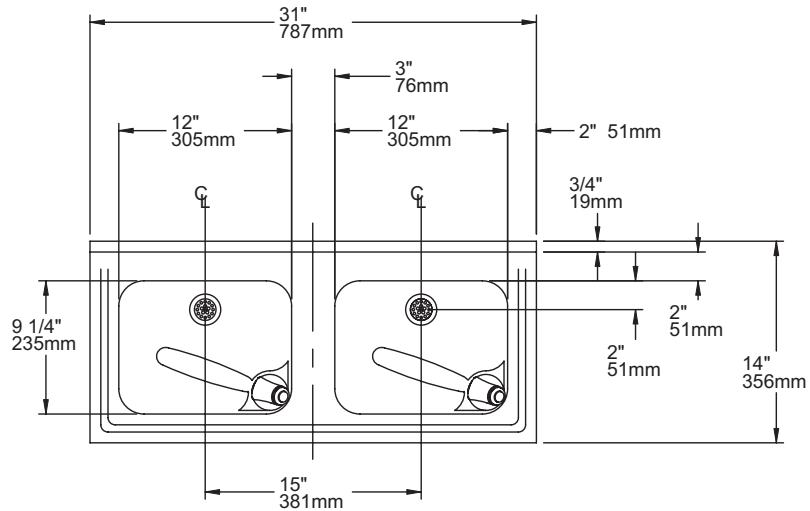
NOTE: Trap and service stop not included.

A service stop must be installed at the fountain inlet line.

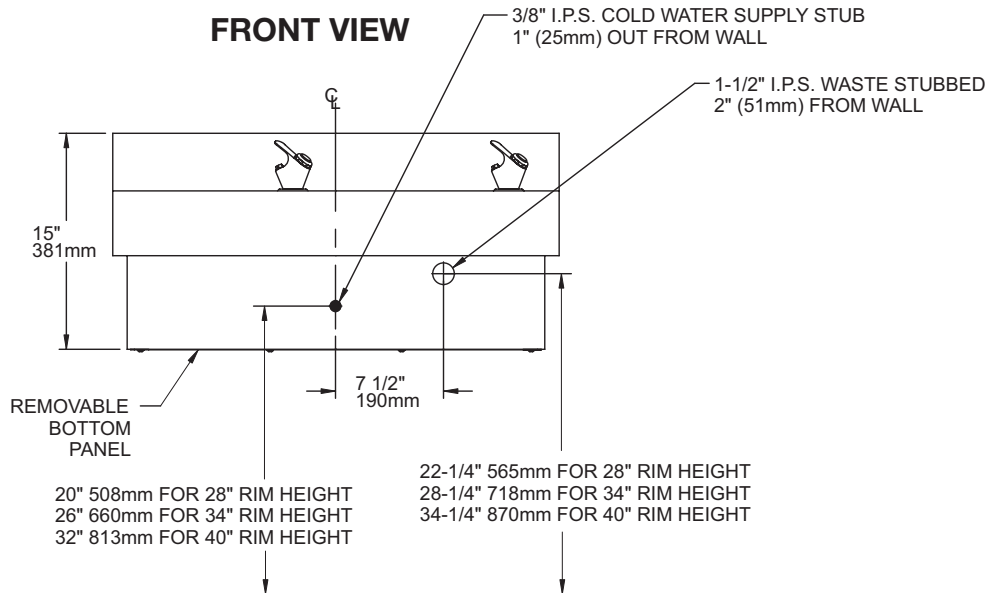
SIDE VIEW



TOP VIEW



FRONT VIEW



Halsey Taylor®